

Ensure the silicone is sitting parallel on the hole below it. Hold at eye level to check the position is correct

### Ensuring that the AQUAvalve5 floods and drains correctly

- 1** Making sure your AQUAvalve5 floods and drains correctly is simply achieved and only takes a few seconds.
- 2** Hold the AQUAvalve5 at eye level so that you can see the silicone fitted to the top float resting on the hole below it.
- 3** The silicone must create a tight seal when touching the hole.
- 4** If it looks like it is not sitting parallel on the hole below, simply lift the top float and apply pressure to one side of the silicone, drop the float and hold at eye level again. Repeat the procedure if necessary.

### Care and maintenance

- 1** At the end of your growing season, clean the AQUAvalve5 using warm soapy water. Using an old tooth brush will help.  
  
The AQUAvalve5 is easily disassembled. The top float will slide all the way across and the bottom float is unclipped from its pivoting position. The circular discs fitted to the top float can also be removed by using pliers to grip the raised point.  
  
At this point is it advisable to remove the silicones to avoid them being lost.
- 2** It is also handy to have a paper clip or pipe cleaner to hand so that you can push it through the AQUAvalve5 nozzle, this will remove any lime scale build up that may have occurred during the growing season.  
  
Blowing through the AQUAvalve5 nozzle will also help to remove any build up. Do not under any circumstances use a drill & drill bit to clear the AQUAvalve5 nozzle.

**This will potentially damage the AQUAvalve5 beyond repair.**

## Your 16Pot XXL set-up guidelines



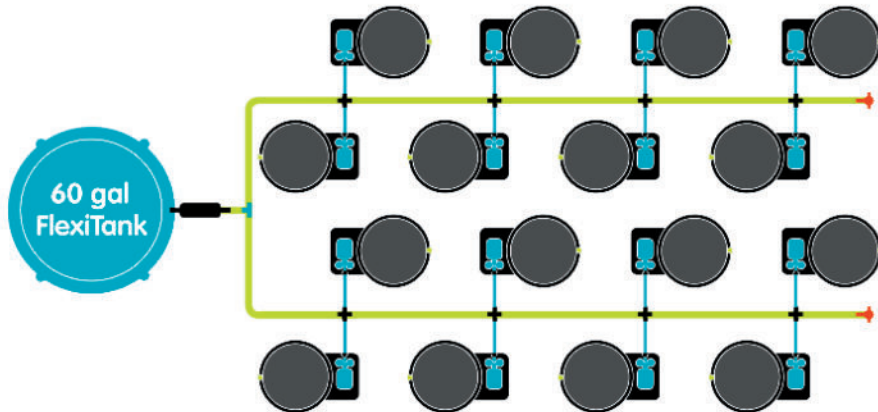
## 16Pot XXL System contents

- 1x 60 gal FlexiTank (with res.' option)
- 1x 1/2" click-fit adaptor & filter
- 16x 1Pot XXL tray, lid & 3/8" grommet
- 16x 1/4" blanking grommet
- 2x 1/2" inline tap
- 16x 9 gal or 13 gal fabric pot
- 16x AQUAvalve5
- 1x 1/2" tee connector
- 8x 1/2"-3/8" cross connector
- 13 ft of 1/2" pipe
- 13 ft of 3/8" pipe
- 16x root control PotSock

## Plan views and options

### Suggested layouts

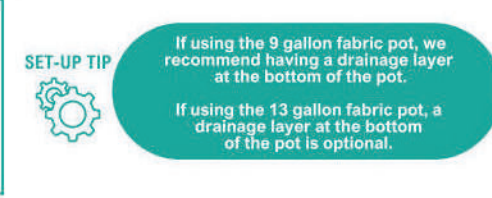
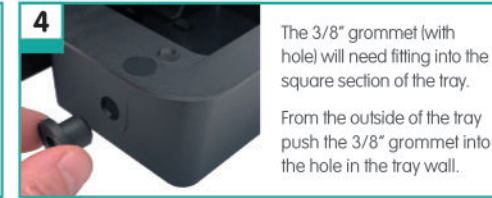
System requires minimum 60 gal reservoir  
Elevate reservoir 6" to maintain gravity pressure



### Advice

- Please note that multiple fabric pots may increase room humidity due to the porosity of their exposed surfaces.
- Pot up your plants, water through, then allow your plants to establish in the pots for a period of 7 to 10 days before turning your system on. This will encourage a stronger and healthier root system.
- Always raise your reservoir to a minimum of 6" above the highest AQUAvalve and re-fill the reservoir when there is approximately a 1/3 of the solution left - NEVER ALLOW THE RESERVOIR TO RUN EMPTY.
- With AQUAvalve5 systems mineral or organic fertilisers may be fed via the reservoir and pipework. Organic fertilisers will require a water pump in the reservoir running for 15 mins every 2 hrs and cleaning of the reservoir, pump, and filter each time the reservoir empties. Flush pipework with plain water every time the reservoir empties.
- Clean all substrate from the bottom and sides of the pots before placing in trays to ensure AQUAvalve functionality.
- Always use free draining substrates, for example: soil/perlite, coco/perlite, soil/clay pebbles, coco/clay pebbles, rockwool/clay pebbles.

## 16Pot XXL setup instructions



Using your front instruction sheet, repeat the module set up instructions for the number of trays.

**Allow your plants to establish for 7-10 days before turning system on**

### Advice

If you require any guidance email - [info@autopot-usa.com](mailto:info@autopot-usa.com)